

# INSTRUCTION SAFETY MANUAL

CALIBER 9 x 19mm LUGER, .45 ACP, .40 S&W, 10mm AUTO, .357 SIG



**K100 - P1**

**P45 - P40**

**P11 - X-Calibur**

[www.grandpower.com](http://www.grandpower.com)

# TABLE OF CONTENT

1.	Table of content	2	9.3	Pistol cleaning	15
2.	Records of firearm's owner	3	9.3.1	Barel bore and the cartridge chamber cleaning	15
3.	Basic description	5	9.3.2	Other pistol parts cleaning	16
3.1	Modifications of basic models	6	9.4	Preserving	16
4.	Technical specifications	7	10.	Exploded drawing of with components	18
5.	Serial number of pistol	7	10.1	Component list of K100/P1 model	18
6.	Main parts of pistol	8	10.2	Component list of X-Calibur model	19
7.	Basic safety rules	9	10.3	Component list of P11 model	20
8.	Operating instructions	11	10.4	Component list of P40/P45 model	21
8.1	Ammunition	11	11.	Warranty	22
8.2	Magazine removal	11			
8.3	Magazine loading	11			
8.4	Pistol loading	12			
8.5	Reloading during shooting	12			
8.6	Pistol unloading	12			
8.7	Safety mode	13			
8.8	Sight adjustment	13			
9.	Maintenance instructions	13			
9.1	Pistol disassembly and cleaning	13			
9.2	Assembling	15			

## 2. FIREARM OWNER'S RECORD

Model:..... Serial number:..... Date of purchase:.....

**IMPORTANT WARNING: ALL INFORMATION AND SPECIFICATIONS CONTAINED IN THIS MANUAL MAY CHANGE WITHOUT NOTIFICATION!**

**READ THE ENTIRE MANUAL CAREFULLY BEFORE USING THIS FIREARM AND MAKE SURE THAT ANY PERSON USING OR HAVING ACCESS TO THIS FIREARM READS AND UNDERSTANDS ALL OF THIS MANUAL PRIOR TO USE OR ACCESS TO THE FIREARM.**

**WARNING:** All firearms have lethal potential. Therefore read the Basic Safety Rules carefully and understand them fully before attempting to use this firearm!

**NOTICE:** The Producer and / or its Local Official Distributors assume no responsibility for product malfunction, physical injury or property damage resulting in whole or in part from criminal or negligent use of the product, improper or careless handling, unauthorized modifications and the use of defective and / or improper hand-loading. Reloaded or remanufactured ammunition, customer abuse or neglect of the product are influences beyond manufacturer's direct and immediate control.

**NOTICE:** GRAND POWER reserves the right to make any changes it deems necessary to improve its models or to meet any requirements of manufacturing or commercial nature.



### 3. BASIC DESCRIPTION

The GRAND POWER K100 / P1 / P11 / P45 / P40 / X-Calibur models and their modifications are self loading pistols of caliber 9 x 19mm Luger, .45 ACP, .40 S&W, 10mm AUTO, .357 Sig

assigned for sport shooting, military use, law enforcement and personal defence. Pistols are based on authentic construction.

The pistols have external hammer and locking system based on locking by rotating barrel guided by crosswise pin. This system minimizes recoil. The slide itself is dynamic. The pistol has ambidextrous safety, steel semi-adjustable rear sight and plastic front sight (configuration of sights is optional, depends on model). The trigger has SA/DA mode.

The handle is made of Polyamide GF30. Includes 4 interchangeable grips of different sizes significantly enhancing user comfort. It has a new concept of field stripping by dismantling segment.

Each package includes plastic case, 2 standard steel 15 rounds magazines, cleaning brush, imbuss key (Allen key), safety instruction manual, warranty card and 4 interchangeable grips (optional).

## Characteristic features are:

- Modern design
- Simple trigger mechanism
- High accuracy
- High reliability with different types of ammunition

In case of any questions we recommend to contact your official importer

### 3.1 MODIFICATIONS OF BASIC MODELS

**K100** – basic model

**K100 X-TRIM** – enhanced model with castellated slide, side-adjustable steel rear sight

Dynamic and fiber-optic front sight

**K100 DYNAMIC** – enhanced model with side-adjustable steel rear sight Dynamic and

fiber-optic front sight

**K100 TARGET** – enhanced model with full adjustable micrometric rear sight Elliason

and fiber-optic front sight, modified trigger with short action, lower resistance

**P1** – basic compact model

**P1 ULTRA** – enhanced model with castellated slide, side-adjustable steel rear sight Dynamic and fiber-optic front sight

**P11**- Our P11 pistols is sub-compact sized for convenient everyday carry. This model incorporates smaller grip, thus there is no possibility of back strap exchange. Despite its small size, P11 still utilizes same rotating barrel system as our larger frame pistols.

**X-Calibur** - our flagship model for sport shooters, fluted barrel, enlarged safety levers, excellent trigger, fully adjustable rear sight.- all you can hope for in factory package.

**P40/ P45** - Large bore pistols, massive slides and barrels, universal ergonomic grip, available in .45 ACP (P45) and .40 SW, .357 Sig and 10mm AUTO (P40) calibers

**P40L/ P45L** - same pistol as P40/P45, barrel and slide 1 inch longer

## 4. TECHNICAL SPECIFICATIONS

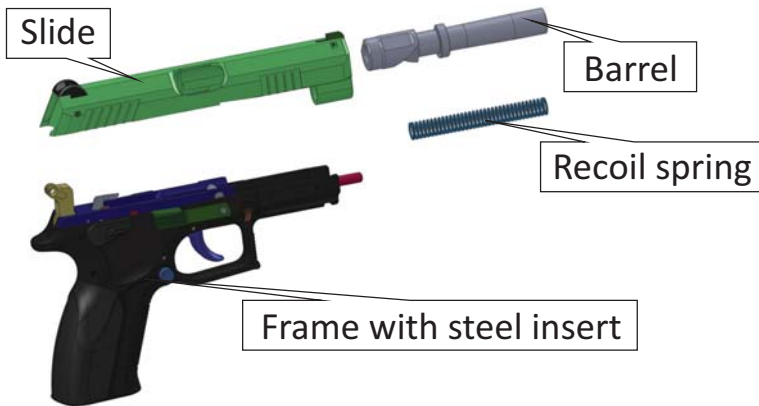
<b>Model:</b>	K100	K100 X-TRIM	K100 TARGET	K100 DYNAMIC	P1	P1 ULTRA	P11	X-Calibur	P45	P45L	P40	P40L
<b>Caliber:</b>	9 x 19mm Luger								.45 ACP		.40 S&W 10mm AUTO .357 Sig	.40 S&W 10mm AUTO .357 Sig
<b>Safety:</b>	ambidextrous											
<b>Weight without magazine:</b>	740g	680g	740g	740g	690g	650g	640g	797g	750g	945g	770g	970g
<b>Width through controls:</b>	36mm											
<b>Height without magazine:</b>	133,5mm						118 mm	133,5 mm	137,5 mm	136 mm	135,5 mm	136 mm
<b>Overall length:</b>	202,5mm				187,5mm		179 mm	220 mm	206,5 mm	228 mm	206,5 mm	228 mm
<b>Barrel length:</b>	117mm				93mm		85 mm	126,7 mm	108 mm	127 mm	108 mm	127 mm
<b>Surface of slide:</b>	Tenifer QPQ											
<b>Magazine capacity:</b>	15 rounds						12 rounds	15 rounds	10 rounds	10 rounds	14 rounds	14 rounds

## 5. SERIAL NUMBER OF PISTOL

The serial number is located on various parts of the pistol. Each serial number is specific to that pistol and is used for identification and registration. It is recommended to record your serial number in your manual and keep the information in a secured location.



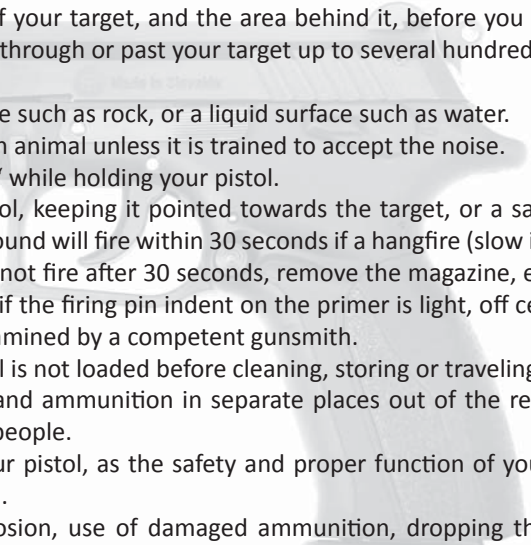
## 6. MAIN PARTS OF PISTOL



## 7. BASIC SAFETY RULES

**ALWAYS FOLLOW THE SAFETY INSTRUCTIONS FOR YOUR SAFETY AND THE SAFETY OF OTHERS!**

1. **Always** handle your pistol as if it were loaded.
2. **Never** point your pistol at anything you do not intend to shoot.
3. **Never** take anyone's word that a gun is unloaded.
4. **Always** make sure that your pistol is not loaded before laying it down, or handing it to another person.
5. **Always** keep and carry your pistol empty, with the hammer forward except when you intend to shoot.
6. **Never** abuse your pistol by using it for any purpose other than shooting.
7. **Never** leave the pistol cocked and ready to fire unattended.
8. Before loading your pistol, **be sure** that barrel bore, chamber, and action are clean and clear of obstructions. After shooting, clean a dirtied pistol as soon as possible.
9. **Always** use only clean, dry, original, high-quality, commercially manufactured ammunition, which is appropriate to the caliber of your pistol.
10. **Never** drink alcoholic beverages or take drugs before or during shooting.
11. **Always** wear safety glasses and ear protection when shooting.
12. **Always** keep the safety on when the pistol is loaded and cocked, until you are ready to fire.
13. **Always** keep clear and keep others clear of the ejection port.

- 
14. **Never** squeeze the trigger or put your finger in the trigger guard until you are aiming at a target and ready to shoot.
  15. **Always** be absolutely sure of your target, and the area behind it, before you squeeze the trigger. A bullet could travel through or past your target up to several hundred meters.
  16. **Never** shoot at a hard surface such as rock, or a liquid surface such as water.
  17. **Never** fire your pistol near an animal unless it is trained to accept the noise.
  18. **Never** indulge in „horseplay“ while holding your pistol.
  19. **Failure to fire:** hold the pistol, keeping it pointed towards the target, or a safe open area and wait 30 seconds. The round will fire within 30 seconds if a hangfire (slow ignition) has occurred. If the round does not fire after 30 seconds, remove the magazine, eject the round and examine the primer; if the firing pin indent on the primer is light, off center, or non-existent, have the pistol examined by a competent gunsmith.
  20. **Always** make sure your pistol is not loaded before cleaning, storing or traveling.
  21. **Always** lock up your pistol and ammunition in separate places out of the reach and sight of children and untrained people.
  22. **Never** alter any parts of your pistol, as the safety and proper function of your pistol could be seriously compromised.
  23. **Always** be aware that corrosion, use of damaged ammunition, dropping the pistol on hard surfaces or „coarse treatment“ could cause damage you may not see. If something like this happens, have the pistol examined and tested by a competent gunsmith.

## **8. OPERATING INSTRUCTIONS**

### **8.1 AMMUNITION**

Use only factory-manufactured standard ammunition of appropriate caliber 9 x 19mm Luger which are in compliance with IPC regulations (International Proof Commission or SAAMI - Sporting Arms and Ammunition Manufacturers Institute Inc. of the United States).

The use of other cartridges could damage the handgun, cause malfunctions or injure the shooter.

### **8.2 MAGAZINE REMOVAL**

Hold the pistol in your right or left hand, press the magazine catch with the thumb and with the other hand remove the magazine. Before unloading to avoid breakage is advised to use other hand to secure magazine 2-4 cm underneath magazine plate.

### **8.3 MAGAZINE LOADING**

With the open end uppermost, grasp the magazine in one hand. Place the cartridge on the magazine follower. Press the cartridge down and back until it touches the rear flat edge of the magazine. Place the next cartridge on top of the previous cartridge and press down and back. We recommend that when some cartridges are already loaded in the magazine, press them down slightly with the thumb of the hand that holds the magazine. The number of cartridges can be checked through the inspection holes in the sides of the magazine. Do not try to exceed the magazine capacity – it can cause a feeding failure.

## 8.4 PISTOL LOADING

**CAUTION: ALWAYS MAKE SURE THE PISTOL IS POINTED IN A SAFE DIRECTION!**

Insert a loaded magazine into the pistol and ensure that it has engaged the magazine catch. Hold the grip of the pistol with one hand, and with the thumb and index finger of the other hand, grasp the serrated finger grips on both sides of the slide. Retract the slide to a stop and allow it to snap forward. This procedure cocks the hammer and inserts a cartridge into chamber. The pistol is now ready to fire. If you do not intend to fire immediately, ensure the pistol safety is on.

## 8.5 RELOADING DURING SHOOTING

When the last cartridge is fired, the slide will stay to the rear. Remove the empty magazine and replace it with a loaded one. Thumb down the slide stop with the shooting hand, or with the other hand, draw back the slide and allow it to snap forward. The pistol is again loaded and ready to fire.

## 8.6 PISTOL UNLOADING

**CAUTION: ALWAYS MAKE SURE THE PISTOL IS POINTED IN A SAFE DIRECTION!**

- remove the magazine
- draw back the slide and look to see if the last cartridge has been extracted from the chamber and ejected
- let the slide move fully forward and press the trigger (dry fire)

## 8.7 SAFETY MODE

The pistols K100 / P1 have SA/DA trigger mechanism. The frame is equipped with safety and positions lock-off/lock on. If the safety lever is in upwards position the gun is locked. Please remember the most secure is reloading the gun and placing safely.

## 8.8 SIGHT ADJUSTMENT

The pistols K100 / P1 before being sold “shot-in” at the manufacturing plant at a distance of 15 m so that the mean point of impact conforms to the point of aim. Windage correction can be carried out by drifting the rear sight in the dovetail and then secured a set screw. Elevation correction is carried out by exchanging the front sights for higher or lower ones.

# 9. MAINTENANCE INSTRUCTIONS

## 9.1 PISTOL DISASSEMBLY AND CLEANING

**CAUTION: ALWAYS MAKE SURE THE PISTOL IS POINTED IN A SAFE DIRECTION!**

- Remove the magazine. The pistol must not be disassembled with the magazine inserted.
- **MAKE SURE THERE IS NO CARTRIDGE IN THE CHAMBER!**
- Pull the dismantling segment down – both sides.
- Pull the slide fully back, lift the rear end then move the slide forward to separate it from the barrel and frame.
- Remove the recoil spring and recoil spring guide and take out the barrel

1.



2.



3.



4.



No further disassembly is needed for routine maintenance. When a great number of cartridges has been fired, it is advisable to have the firing pin and magazine cleaned by a competent gunsmith.

## 9.2 ASSEMBLING

Assembly procedure is done in reverse sequence to disassembly.

BEWARE: during assembly the barrel MUST be shifted forward, out of the receiver with front barrel ring placed in receiver's cut out.

## 9.3 PISTOL CLEANING

Clean the pistol:

- each time you use it – as soon as possible after shooting
- if you get your pistol wet
- at least once a year in a temperate climate
- as often as once a month in a tropical climate, or other demanding environment

### 9.3.1 BAREL BORE AND THE CARTRIDGE CHAMBER CLEANING

If the pistol has not been fired or if only a few cartridges have been fired, clean the barrel bore and cartridge chamber with the clean patch attached to the cleaning rod. When the barrel bore is very dirty, apply a gun cleaning solution using a cleaning brush. Let the solvent act for about 10 minutes (time may vary depending on the solvent agent being used). Then thoroughly scrub the barrel bore with the included brush. Next, dry the barrel bore and cartridge chamber with a clean patch and check that all powder residues have been removed. Repeat this procedure if necessary.

The cleaning rod and the brush must be inserted into the barrel bore from the chamber end to prevent wear or damage to the muzzle. Move the brush all the way through the barrel bore before reversing the movement. If you try to change directions with the brush in the barrel, the brush could stick.



### 9.3.2 OTHER PISTOL PARTS CLEANING

Other parts of the pistol (including the external surface of the barrel) should be cleaned with a dry cloth, old toothbrush, nylon bristle brush or a wooden scraper. Preserving oil or paraffin oil can be used for proper cleaning. Never use any bore cleaning agents or solvents on the polymer parts of the pistol! These solutions could remain in the joints, and after some time could cause corrosion. Check that cloth particles or brush bristles have not become lodged in any part of the pistol.

### 9.4 PRESERVING

When the barrel bore, cartridge chamber, and all accessible parts are clean and dry, wipe these parts with a cloth soaked in gun oil, or apply oil spray. Remove all excess oil. Always wipe the barrel bore dry before soaked in shooting. At very low temperatures be sure to remove the oil from all accessible parts, or apply a lubricant designed especially for these conditions. Use thick preserving agents (preserving grease) only for long-term storage in demanding environments, and these agents must be thoroughly removed from all parts of the firearm before any use of the pistol.

# 10-1. Exploded drawing of K100/P1 with components



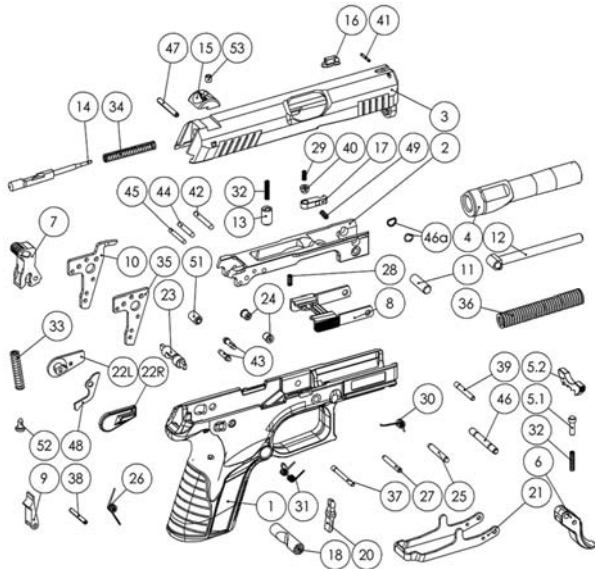
No.	Name of detailed element	No.	Name of detailed element	No.	Name of detailed element
1	Polymer frame housing	20	Magazine catch	38	Slide plate fixate pin
2	Insert	21	Trigger bar	39	Trigger pin
3	Slide	22	Safety lever L/R	41	Front sight pin
4	Barrel	23	Safety pin	42	Autosafety lever pin
5.1	Dismantling segment	24	Arrest clench	43	Hammer catch pin
5.2	Pin of dismantling segment	25	Trigger bar pin	44	Hammer pin
6	Trigger	26	Hammer catch spring	45	Hammer spring support pin
7	Hammer	27	Trigger bar pin	46	Slide catch pin
8	Slide stop	28	Slide stop spring	46a	Spring of firing pin
9	Sear	30	Trigger spring	47	Pin of firing pin
10	Ejector	31	Magazine catch spring	49	Extractor spring
12	Recoil spring guide	32	Dismantling segment spring	51	Distance column
14	Firing pin	33	Hammer spring	52	Firing spring back-up
15	Rear sight	34	Firing pin spring	53	Rear sight screw
16	Front sight	35	Slide plate		
17	Extractor	36	Recoil spring		
18	Magazine release	37	Magazine catch pin		

## 10-2. Exploded drawing of X-CALIBUR with components



No.	Name of detailed element	No.	Name of detailed element	No.	Name of detailed element
1	Polymer frame housing	20	Magazine catch	38	Slide plate fixate pin
2	Insert	21	Trigger bar	39	Trigger pin
3	Slide	22	Safety lever L/R	41	Front sight pin
4	Barrel	23	Safety pin	42	Autosafety lever pin
5.1	Dismantling segment	24	Arrest clench	43	Hammer catch pin
5.2	Pin of dismantling segment	25	Trigger bar pin	44	Hammer pin
6	Trigger	26	Hammer catch spring	45	Hammer spring support pin
7	Hammer	27	Trigger bar pin	46	Slide catch pin
8	Slide stop	28	Slide stop spring	46a	Spring of firing pin
9	Sear	30	Trigger spring	47	Pin of firing pin
10	Ejector	31	Magazine catch spring	49	Extractor spring
12	Recoil spring guide	32	Dismantling segment spring	51	Distance column
14	Firing pin	33	Hammer spring	52	Firing spring back-up
15	Rear sight	34	Firing pin spring	53	Rear sight screw
16	Front sight	35	Slide plate		
17	Extractor	36	Recoil spring		
18	Magazine release	37	Magazine catch pin		

## 10-3. Exploded drawing of P11 with components



No.	Name of detailed element	No.	Name of detailed element	No.	Name of detailed element
1	Polymer frame housing	20	Magazine catch	38	Slide plate fixate pin
2	Insert	21	Trigger bar	39	Trigger pin
3	Slide	22	Safety lever L/R	41	Front sight pin
4	Barrel	23	Safety pin	42	Autosafety lever pin
5.1	Dismantling segment	24	Arrest clench	43	Hammer catch pin
5.2	Pin of dismantling segment	25	Trigger bar pin	44	Hammer pin
6	Trigger	26	Hammer catch spring	45	Hammer spring support pin
7	Hammer	27	Trigger bar pin	46	Slide catch pin
8	Slide stop	28	Slide stop spring	46a	Spring of firing pin
9	Sear	30	Trigger spring	47	Pin of firing pin
10	Ejector	31	Magazine catch spring	49	Extractor spring
12	Recoil spring guide	32	Dismantling segment	51	Distance column
14	Firing pin	33	Hammer spring	52	Firing spring back-up
15	Rear sight	34	Firing pin spring	53	Rear sight screw
16	Front sight	35	Slide plate		
17	Extractor	36	Magazine catch pin		
18	Magazine release	37	Magazine catch pin		

## 10-4. Exploded drawing of P40/ P45 with components



No.	Name of detailed element	No.	Name of detailed element	No.	Name of detailed element
1	Polymer frame housing	20	Magazine catch	38	Slide plate fixate pin
2	Insert	21	Trigger bar	39	Trigger pin
3	Slide	22	Safety lever L/R	41	Front sight pin
4	Barrel	23	Safety pin	42	Autosafety lever pin
5.1	Dismantling segment	24	Arrest clench	43	Hammer catch pin
5.2	Pin of dismantling segment	25	Trigger bar pin	44	Hammer pin
6	Trigger	26	Hammer catch spring	45	Hammer spring support pin
7	Hammer	27	Trigger bar pin	46	Slide catch pin
8	Slide stop	28	Slide stop spring	46a	Spring of firing pin
9	Sear	30	Trigger spring	47	Pin of firing pin
10	Ejector	31	Magazine catch spring	49	Extractor spring
12	Recoil spring guide	32	Dismantling segment spring	51	Distance column
14	Firing pin	33	Hammer spring	52	Firing spring back-up
15	Rear sight	34	Firing pin spring	53	Rear sight screw
16	Front sight	35	Slide plate		
17	Extractor	36	Recoil spring		
18	Magazine release	37	Magazine catch pin		

## 11. WARRANTY

The manufacturer provides to the original retail customer a limited warranty for a period of two (2) years from the date of purchase which covers defects of material and manufacturing defects. It will be the discretion of the producer and importer as to whether the parts/labor or replacement will result in a charge to the customer. The importer or producer has the right to research, inspect and test the weapon to assess any claim made under the warranty.

### WARRANTY EXCLUSIONS

The warranty is **VOID** if the firearm has been altered, abused, misused, damaged by accident, fired with hand loaded or reloaded ammunition, obstructions in the barrel or damage due to failure regular and necessary maintenance. Also this warranty is **VOID** if any unauthorized repair or alteration is performed on the firearm.

### LIMITED WARRANTY

GRAND POWER s.r.o., Priboj 558, 976 13 Slovenska Lupca, Slovensko, warrants to the original purchaser that this GRAND POWER firearm will be free from defects in material and workmanship under normal use for a period of one year from the date of purchase. Under this warranty, GRAND POWER s.r.o. shall repair or replace any defective part, or at our option, exchange the firearm within a reasonable time and without charge. Claims under this warranty should be submitted in writing the stated one-year period, together with proof of the date of purchase and the firearm (insurance and shipment prepaid by the purchaser) to an authorized warranty center identified at [www.grandpowerusa.com](http://www.grandpowerusa.com) Return shipment and insurance shall be paid by GRAND POWER s.r.o. provided the claim is covered by this warranty. This warranty shall be waived if the claimed defect or malfunction was caused by neglect, abuse, careless handling, unauthorized adjustments, alterations or modifications, improper ammunition, or unreasonable use.

GRAND POWER s.r.o. SHALL NOT BE RESPONSIBLE FOR ANY INCIDENTAL OR CONSEQUENTIAL DAMAGES FOR BODILY INJURY PROPERTY DAMAGE OR ECONOMIC LOSS UNDER THIS WARRANTY OR OTHER GROUNDS. SOME STATES DO NOT ALLOW THE EXCLUSION OR LIMITATION OF INCIDENTAL OR CONSEQUENTIAL DAMAGES; SO, THE ABOVE LIMITATION OR EXCLUSION MAY NOT APPLY TO YOU.

This Warranty gives you specific legal right, and you may also have other rights which vary from state to state. If you require assistance in connection with this Warranty, contact Eagle Imports, Inc., 1750 Brielle Avenue, Unit B-1, Wanamassa, New Jersey 07712. Email: [info@eagleimportsinc.com](mailto:info@eagleimportsinc.com) Please visit our website for current warranty center locations: [www.eagleimportsinc.com](http://www.eagleimportsinc.com) or [www.grandpowerusa.com](http://www.grandpowerusa.com).

### **LIFETIME SERVICE CONTRACT**

Upon the expiration of the one-year Warranty, and for as long as this GRAND POWER firearm is owned by the original purchaser, GRAND POWER. offers to service and repair any defects or malfunction in this GRAND POWER firearm, excluding the finish, grips, sights or magazine, without charge. Requests for service should be submitted in writing, together with proof of purchase and the firearm (insurance and shipment prepaid by the purchaser), to an authorized service center identified at [www.grandpowerusa.com](http://www.grandpowerusa.com). Return shipment and insurance shall be paid by GRAND POWER provided the service is covered by this service contract.

This service contract is extended only to the original purchaser, is not transferable, and shall be waived if the defect or malfunction was caused by neglect, abuse, careless handling, willful damage, damage caused by overpressure ammunition, or unauthorized ammunition, ordinary wear and tear, unreasonable use, or failure to provide reasonable and necessary maintenance as set forth in the instruction manual. Moreover, this agreement will not apply to those parts of your GRAND POWER firearm which have been "tuned" or "gunsmithed" for performance other than customized tuning and other services provided by an authorized service center.

Please complete and return the enclosed original purchaser registration card, found in you firearm's box, to assist us in providing this service to you. If you require assistance in connection with this service contract, please contact:

Eagle Imports, Inc.  
1750 Brielle Ave., Unit B-1  
Wanamassa, NJ 07712  
732-493- 0333

[info@eagleimportsinc.com](mailto:info@eagleimportsinc.com)  
[www.eagleimportsinc.com](http://www.eagleimportsinc.com)  
[www.grandpowerusa.com](http://www.grandpowerusa.com)

**NOTICE:** It is illegal to, among other things, ship firearm with ammunition in the firearm or in the same packaging. Firearms and ammunition must be shipped separately. Make sure you are in compliance with all local and federal laws when shipping a firearm for repair under this service contract to any authorized service center. You are solely responsible for understanding and complying with all state, federal, or other applicable laws or regulations regarding the shipment of firearms and/or ammunition.

**GRAND POWER s.r.o.**  
**Poľovnícka 29**  
**974 01 Banská Bystrica - Šalková**

**Headquarters**  
**Príboj 558**  
**976 13 Slovenská Ľupča**

**info@grandpower.eu**



**GRAND POWER s.r.o.**  
**www.grandpower.eu**

